

Serenity Mask



SUNRISE
MEDICAL

nCPAP-Therapy



Adjustable nCPAP mask for maximum
comfort and compliance

Serenity Mask

Getting the best fit on a CPAP mask is never easy, but it is with the DeVilbiss Serenity Mask. The modular set-up of the DeVilbiss Serenity mask allows you to configure the mask the way you need it, from a standard silicone cushion to the superior comfort of a gel-filled cushion. The silicone and gel cushions come in both standard and shallow sizes. The cushions and forehead pads are all interchangeable on the Serenity Mask frame to give you the maximum options for a comfortable fit. The DeVilbiss Serenity Mask comes complete with easy to use strap-style head gear. An option for use with ventilators is also available.

Features and benefits

- Forehead rest adjusts front to back for maximum patient comfort and fewer visits to refit patients
- Soft, replaceable silicone or gel cushion provides a great seal with low pressure and can be replaced for longer mask life
- Soft, latex-free cushion and forehead pads eliminate latex sensitivity issues
- Easy to assemble headgear
- Solid thermoplastic mask frame will with-stand repeated cleanings
- Adjustable 360° exhaust port allows patient to direct escaping air away from their chest and their bed partner
- Snap together forehead rest components are reliable and easy for patients to change



Serenity Gel-Mask



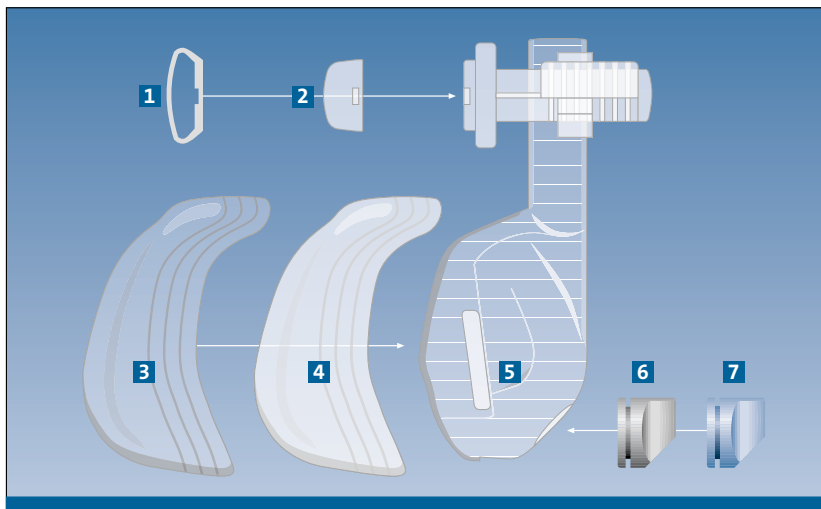
Serenity Silicone-Mask



Gel-Forehead Pads

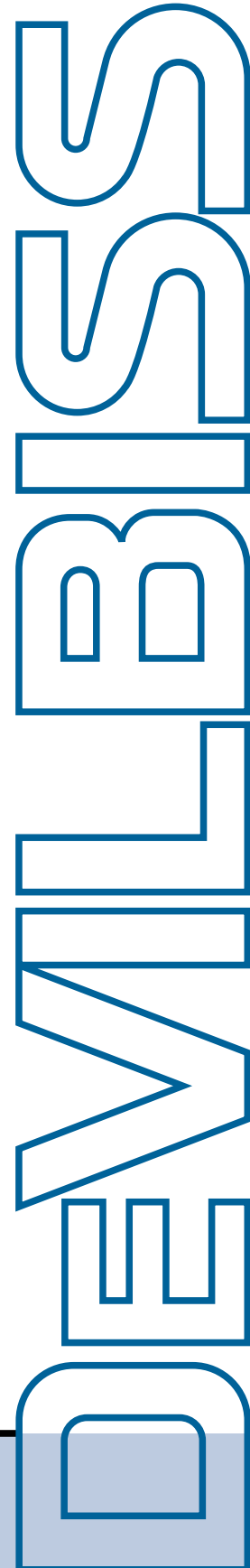


Gel-Mask Cushion



Modular of the Serenity Mask System

- 1 Silicone-Forehead Pads
- 2 Gel-Forehead Pads
- 3 Silicone-Mask Cushion
- 4 Gel-Mask Cushion
- 5 Maskbody
- 6 Vent-Plug
- 7 Non-Vent-Plug



Sunrise Medical has a policy of continuing improvement, we therefore reserve the right to vary details at any time without notice.

SPECIFICATIONS

Weight	81 g (1.72 lb) excl. Headgear
Amount of parts	8 pieces excl. Headgear
Pressure Range	0 – 20 cm H ₂ O
Cushion material	GE Silicone LIM6030

Cleaning	Mask Body, Headrest Frame, Silicone Cushion and Forhead pads: Steam autoclave 10 cycles at 120° C (250 F)
	Gel Cushion and Forhead pads: Mild soap or Dishwasher; NOT autoclaveable

Distributor:

0804/2000/ST-serv/0690143.UK

Sunrise Medical Limited
 High Street Wollaston
 West Midlands DY8 4PS
 England
 Phone + 44 (0) 13 84 44 68 58
 Fax + 44 (0) 13 84 44 66 28
www.sunrisemedical.co.uk
devilbiss@sunmed.co.uk

